



### 概述

Y2 系列电动机是在 Y 系列电动机基础上更新设计的新型基本系列电动机。其外形美观、高效、节能，绝缘等级提高到 F 级，防护等级提高到 IP54，技术标准符合 JB/T8680—1998，与国外同类产品先进水平相当。可根据用户要求生产防护等级为 IP55 的电机。

一般场所和无特殊要求的机械，如金属切削机床、泵、风机、运输机械、搅拌机、农业机械、食品机械等。

### 技术数据 Specifications

三相异步电动机 Y2 系列(Three Phase)

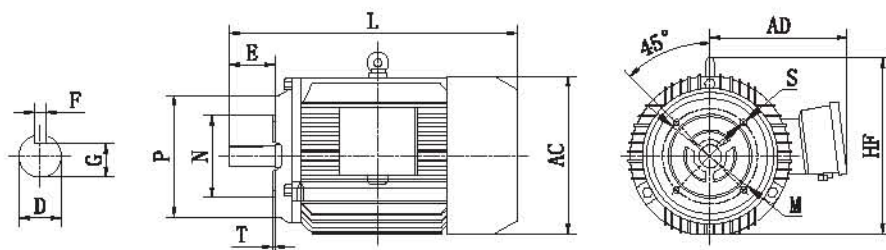
| 型号<br>Model         | 容量<br>Power<br>(KW) | 频率<br>Freq.<br>(Hz) | 电压<br>Voltage<br>(V) | 电流<br>Current<br>(A) | 转速<br>Speed<br>(r/min) | 效率<br>Eff.<br>(%) | 功率<br>因数<br>P.F. | 堵转转矩<br>额定转矩<br>Locked<br>Rotor<br>Torque<br>Rated<br>Torque | 堵转电流<br>额定电流<br>Locked<br>Rotor<br>Current<br>Rated<br>Current | 最大转矩<br>额定转矩<br>Breakdown<br>Torque<br>Rated<br>Torque |
|---------------------|---------------------|---------------------|----------------------|----------------------|------------------------|-------------------|------------------|--|--|--|
| <b>同步转速 3000RPM</b> |                     |                     |                      |                      |                        |                   |                  |  |  |  |
| Y2-63M1-2           | 0.18                | 50                  | 380                  | 0.53                 | 2720                   | 65.0              | 0.80             | 2.2  | 5.5  | 2.2  |
| Y2-63M2-2           | 0.25                | 50                  | 380                  | 0.69                 | 2720                   | 68.0              | 0.81             | 2.2  | 5.5  | 2.2  |
| Y2-71M1-2           | 0.37                | 50                  | 380                  | 0.99                 | 2740                   | 70.0              | 0.81             | 2.2  | 6.1  | 2.2  |
| Y2-71M2-2           | 0.55                | 50                  | 380                  | 1.4                  | 2740                   | 73.0              | 0.82             | 2.2  | 6.1  | 2.3  |
| Y2-80M1-2           | 0.75                | 50                  | 380                  | 1.8                  | 2845                   | 75.0              | 0.83             | 2.2  | 6.1  | 2.3  |
| Y2-80M2-2           | 1.1                 | 50                  | 380                  | 2.6                  | 2845                   | 77.0              | 0.84             | 2.2  | 7.0  | 2.3  |
| Y2-90S-2            | 1.5                 | 50                  | 380                  | 3.4                  | 2840                   | 79.0              | 0.84             | 2.2  | 7.0  | 2.3  |
| Y2-90L-2            | 2.2                 | 50                  | 380                  | 4.9                  | 2840                   | 81.0              | 0.85             | 2.2  | 7.0  | 2.3  |
| Y2-100L-2           | 3                   | 50                  | 380                  | 6.3                  | 2860                   | 83.0              | 0.87             | 2.2  | 7.5  | 2.3  |
| Y2-112M2-2          | 4                   | 50                  | 380                  | 8.1                  | 2880                   | 85.0              | 0.88             | 2.2  | 7.5  | 2.3  |
| <b>同步转速 1500RPM</b> |                     |                     |                      |                      |                        |                   |                  |  |  |  |
| Y2-63M1-4           | 0.12                | 50                  | 380                  | 0.44                 | 1310                   | 57.0              | 0.72             | 2.1  | 4.4  | 2.2  |
| Y2-63M2-4           | 0.18                | 50                  | 380                  | 0.62                 | 1310                   | 60.0              | 0.73             | 2.1  | 4.4  | 2.2  |
| Y2-71M1-4           | 0.25                | 50                  | 380                  | 0.79                 | 1330                   | 65.0              | 0.74             | 2.1  | 5.2  | 2.2  |
| Y2-71M2-4           | 0.37                | 50                  | 380                  | 1.12                 | 1330                   | 67.0              | 0.75             | 2.1  | 5.2  | 2.2  |
| Y2-80M1-4           | 0.55                | 50                  | 380                  | 1.6                  | 1390                   | 71.0              | 0.75             | 2.4  | 5.2  | 2.3  |
| Y2-80M2-4           | 0.75                | 50                  | 380                  | 2.0                  | 1390                   | 73.0              | 0.76             | 2.3  | 6.0  | 2.3  |
| Y2-90S-4            | 1.1                 | 50                  | 380                  | 2.9                  | 1390                   | 75.0              | 0.77             | 2.3  | 6.0  | 2.3  |
| Y2-90L-4            | 1.5                 | 50                  | 380                  | 3.7                  | 1390                   | 78.0              | 0.79             | 2.3  | 6.0  | 2.3  |
| Y2-100L1-4          | 2.2                 | 50                  | 380                  | 5.2                  | 1410                   | 80.0              | 0.81             | 2.3  | 7.0  | 2.3  |
| Y2-100L2-4          | 3                   | 50                  | 380                  | 6.8                  | 1410                   | 82.0              | 0.82             | 2.3  | 7.0  | 2.3  |
| Y2-112M-4           | 4                   | 50                  | 380                  | 8.8                  | 1440                   | 84.0              | 0.82             | 2.3  | 7.0  | 2.3  |
| <b>同步转速 1000RPM</b> |                     |                     |                      |                      |                        |                   |                  |  |  |  |



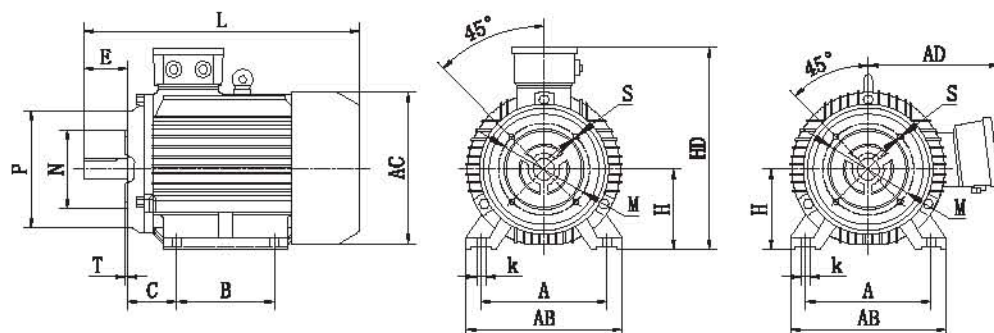
|             |      |    |     |      |     |      |      |     |     |     |
|-------------|------|----|-----|------|-----|------|------|-----|-----|-----|
| Y2-71M1-6   | 0.18 | 50 | 380 | 0.74 | 850 | 56.0 | 0.66 | 1.9 | 4.0 | 2.0 |
| Y2-71M2-6   | 0.25 | 50 | 380 | 0.95 | 850 | 59.0 | 0.68 | 1.9 | 4.0 | 2.0 |
| Y2-80M1-6   | 0.37 | 50 | 380 | 1.3  | 885 | 62.0 | 0.70 | 1.9 | 4.7 | 2.0 |
| Y2-80M2-6   | 0.55 | 50 | 380 | 1.8  | 885 | 65.0 | 0.72 | 1.9 | 4.7 | 2.1 |
| Y2-90S-6    | 0.75 | 50 | 380 | 2.3  | 910 | 69.0 | 0.72 | 2.0 | 5.5 | 2.1 |
| Y2-90L-6    | 1.1  | 50 | 380 | 3.2  | 910 | 72.0 | 0.73 | 2.0 | 5.5 | 2.1 |
| Y2-100L-6   | 1.5  | 50 | 380 | 3.9  | 920 | 76.0 | 0.75 | 2.0 | 5.5 | 2.1 |
| Y2-112M-6   | 2.2  | 50 | 380 | 5.6  | 935 | 79.0 | 0.76 | 2.0 | 6.5 | 2.1 |
| Y2-132S-6   | 3    | 50 | 380 | 7.4  | 960 | 81.0 | 0.76 | 2.1 | 6.5 | 2.1 |
| Y2-132M1-6  | 4    | 50 | 380 | 9.8  | 960 | 82.0 | 0.76 | 2.1 | 6.5 | 2.1 |
| 同步转速 750RPM |      |    |     |      |     |      |      |     |     |     |
| Y2-80M1-8   | 0.18 | 50 | 380 | 0.88 | 645 | 51.0 | 0.61 | 1.8 | 3.3 | 1.9 |
| Y2-80M2-8   | 0.25 | 50 | 380 | 1.15 | 645 | 54.0 | 0.61 | 1.8 | 3.3 | 1.9 |
| Y2-90S-8    | 0.37 | 50 | 380 | 1.49 | 670 | 62.0 | 0.61 | 1.8 | 4.0 | 1.9 |
| Y2-90L-8    | 0.55 | 50 | 380 | 2.17 | 670 | 63.0 | 0.61 | 1.8 | 4.0 | 2.0 |
| Y2-100L1-8  | 0.75 | 50 | 380 | 2.4  | 680 | 71.0 | 0.67 | 1.8 | 4.0 | 2.0 |
| Y2-100L2-8  | 1.1  | 50 | 380 | 3.4  | 680 | 73.0 | 0.69 | 1.8 | 5.0 | 2.0 |
| Y2-112M-8   | 1.5  | 50 | 380 | 4.4  | 690 | 75.0 | 0.69 | 1.8 | 5.0 | 2.0 |
| Y2-132S-8   | 2.2  | 50 | 380 | 6    | 705 | 78.0 | 0.71 | 1.8 | 6.0 | 2.0 |
| Y2-132M-8   | 3    | 50 | 380 | 7.9  | 705 | 79.0 | 0.73 | 1.8 | 6.0 | 2.0 |
| Y2-160M1-8  | 4    | 50 | 380 | 10.3 | 720 | 81.0 | 0.73 | 1.9 | 6.0 | 2.0 |

### 安装尺寸 Mounting Dimension

#### B14



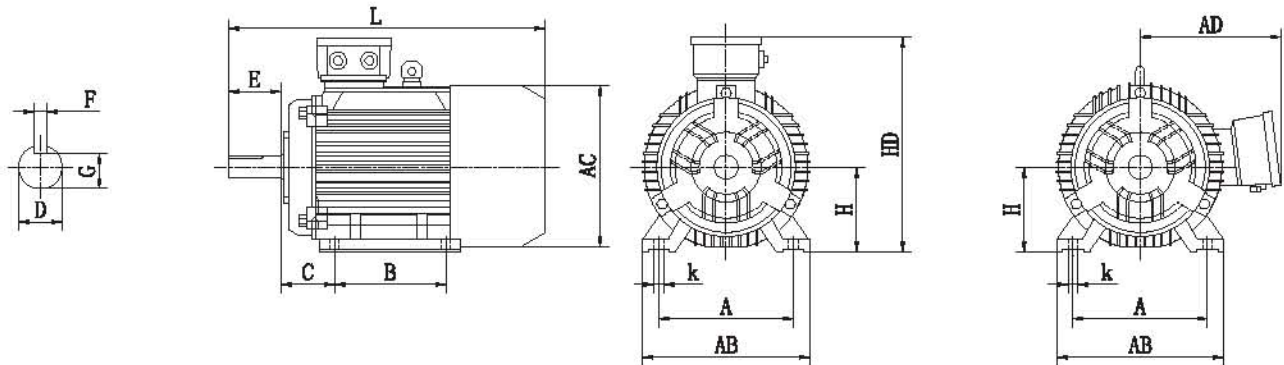
#### B34



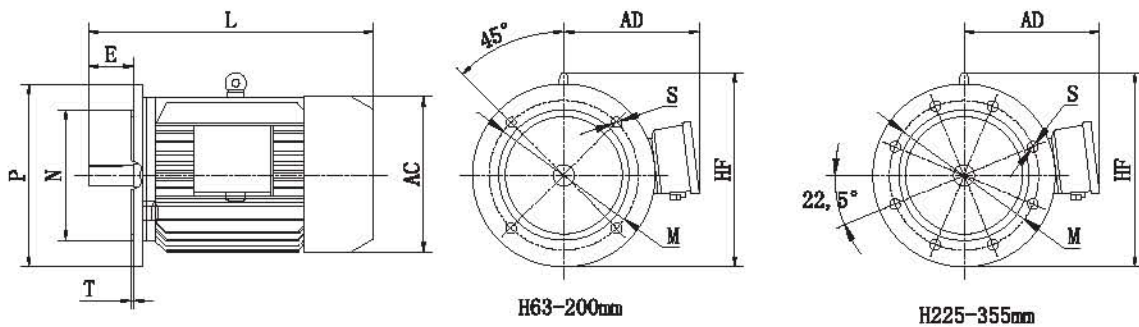


| 机座号<br>Model | 级数<br>Poles | 安装尺寸 Outline Dimension(less than) |     |    |    |    |   |      |     |     |     |     |   |    |     |    |      | 外形尺寸不大于<br>Mounting Dimension |     |     |     |     |     |
|--------------|-------------|-----------------------------------|-----|----|----|----|---|------|-----|-----|-----|-----|---|----|-----|----|------|-------------------------------|-----|-----|-----|-----|-----|
|              |             | A                                 | B   | C  | D  | E  | F | G    | H   | M   | N   | P   | R | S  | T   | K  | 凸缘孔数 | AB                            | AC  | AD  | HD  | HF  | L   |
| 63M          | 2,4         | 110                               | 80  | 40 | 11 | 23 | 4 | 8.5  | 63  | 75  | 60  | 90  | 0 | M5 | 2.5 | 7  | 4    | 135                           | 130 | 70  | 180 | 130 | 230 |
| 71M          | 2,4,6       | 112                               | 90  | 45 | 14 | 30 | 5 | 11   | 71  | 85  | 70  | 105 | 0 | M6 | 2.5 | 7  | 4    | 150                           | 145 | 80  | 195 | 145 | 255 |
| 80M          | 2,4<br>6,8  | 125                               | 100 | 50 | 19 | 40 | 6 | 15.5 | 80  | 100 | 80  | 120 | 0 | M6 | 3   | 10 | 4    | 165                           | 175 | 145 | 214 | 185 | 295 |
| 90S          |             | 140                               | 100 | 56 | 24 | 50 | 8 | 20   | 90  | 115 | 95  | 140 | 0 | M8 | 3   | 10 | 4    | 180                           | 195 | 155 | 250 | 195 | 320 |
| 90L          |             | 140                               | 125 | 56 | 24 | 50 | 8 | 20   | 90  | 115 | 95  | 140 | 0 | M8 | 3   | 10 | 4    | 180                           | 195 | 155 | 250 | 195 | 345 |
| 100L         |             | 160                               | 140 | 63 | 28 | 60 | 8 | 24   | 100 | 130 | 110 | 160 | 0 | M8 | 3.5 | 12 | 4    | 205                           | 215 | 180 | 270 | 245 | 385 |
| 112M         |             | 190                               | 140 | 70 | 28 | 60 | 8 | 24   | 112 | 130 | 110 | 160 | 0 | M8 | 3.5 | 12 | 4    | 230                           | 240 | 190 | 300 | 265 | 400 |

**B3**

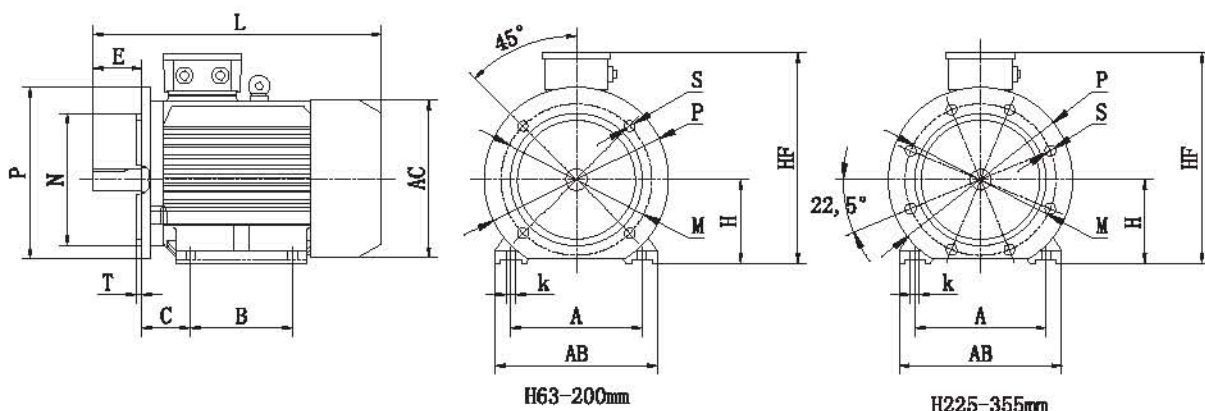


**B5**



**B35**





| 机座号<br>Mod el | 级数<br>Poles | 安装尺寸 Outline Dimension(less than) |     |     |    |     |    |      |     |     |     |     |   |    |     |   | 外形尺寸不大于<br>Mounting Dimension |     |     |     |     |     |
|---------------|-------------|-----------------------------------|-----|-----|----|-----|----|------|-----|-----|-----|-----|---|----|-----|---|-------------------------------|-----|-----|-----|-----|-----|
|               |             | A                                 | B   | C   | D  | E   | F  | G    | H   | M   | N   | P   | R | S  | T   | K | A B                           | A C | A D | H D | H F | L   |
| 63M           | 2,4         | 100                               | 80  | 40  | 11 | 23  | 4  | 8.5  | 63  | 115 | 95  | 140 | 0 | 10 | 3   | 7 | 135                           | 130 | 70  | 180 | 130 | 230 |
| 71M           | 2,4,6       | 112                               | 90  | 45  | 14 | 30  | 5  | 11   | 71  | 130 | 110 | 160 | 0 | 10 | 3.5 | 7 | 150                           | 145 | 80  | 195 | 145 | 255 |
| 80M           | 2,4,6,8     | 125                               | 100 | 50  | 19 | 40  | 6  | 15.5 | 80  | 165 | 130 | 200 | 0 | 12 | 3.5 | 1 | 165                           | 175 | 145 | 220 | 185 | 295 |
| 90S           | 2,4,6,8     | 140                               | 100 | 56  | 24 | 50  | 8  | 20   | 90  | 165 | 130 | 200 | 0 | 12 | 3.5 | 1 | 180                           | 195 | 155 | 250 | 195 | 320 |
| 90L           | 2,4,6,8     | 140                               | 125 | 56  | 24 | 50  | 8  | 20   | 90  | 165 | 130 | 200 | 0 | 12 | 3.5 | 1 | 180                           | 195 | 155 | 250 | 195 | 345 |
| 100L          | 2,4,6,8     | 160                               | 140 | 63  | 28 | 60  | 8  | 24   | 100 | 215 | 180 | 250 | 0 | 15 | 4   | 1 | 205                           | 215 | 180 | 270 | 245 | 385 |
| 112M          | 2,4,6,8     | 190                               | 140 | 70  | 28 | 60  | 8  | 24   | 112 | 215 | 180 | 250 | 0 | 15 | 4   | 1 | 230                           | 240 | 190 | 300 | 265 | 405 |
| 132S          | 2,4,6,8     | 216                               | 140 | 89  | 38 | 80  | 10 | 33   | 132 | 265 | 230 | 300 | 0 | 15 | 4   | 1 | 270                           | 275 | 210 | 340 | 315 | 475 |
| 132M          | 2,4,6,8     | 216                               | 178 | 89  | 38 | 80  | 10 | 33   | 132 | 265 | 230 | 300 | 0 | 15 | 4   | 1 | 270                           | 275 | 210 | 340 | 315 | 510 |
| 160M          | 2,4,6,8     | 254                               | 210 | 108 | 42 | 110 | 12 | 37   | 160 | 300 | 250 | 350 | 0 | 19 | 5   | 1 | 320                           | 330 | 250 | 420 | 385 | 615 |